



# SX02FIT165-4X

NWAV™ X-Pol Antenna

## 2-port 9 in. 65° panel antenna 3400-3980 MHz

- 4G and 5G 3.5 GHz 2T2R antenna
- Ideal for indoor coverage
- Bottom-located 4.3-10 pigtailed for ease of installation
- Low profile for enhanced aesthetics
- Flush-mount bracket
- Two fixed electrical tilt options: 0° or 7°

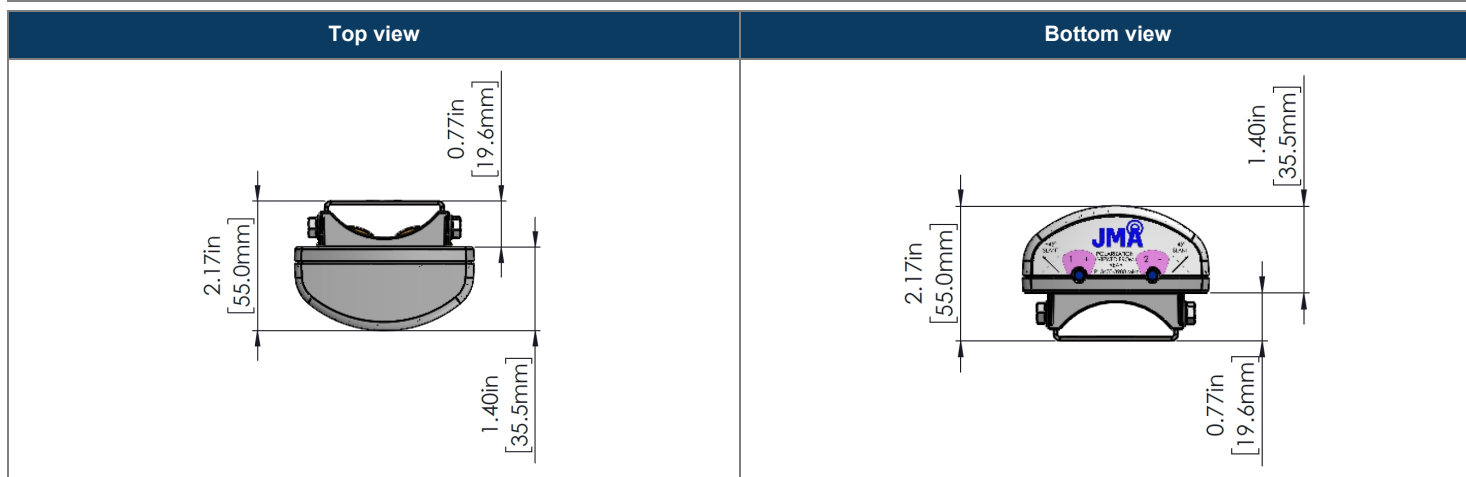
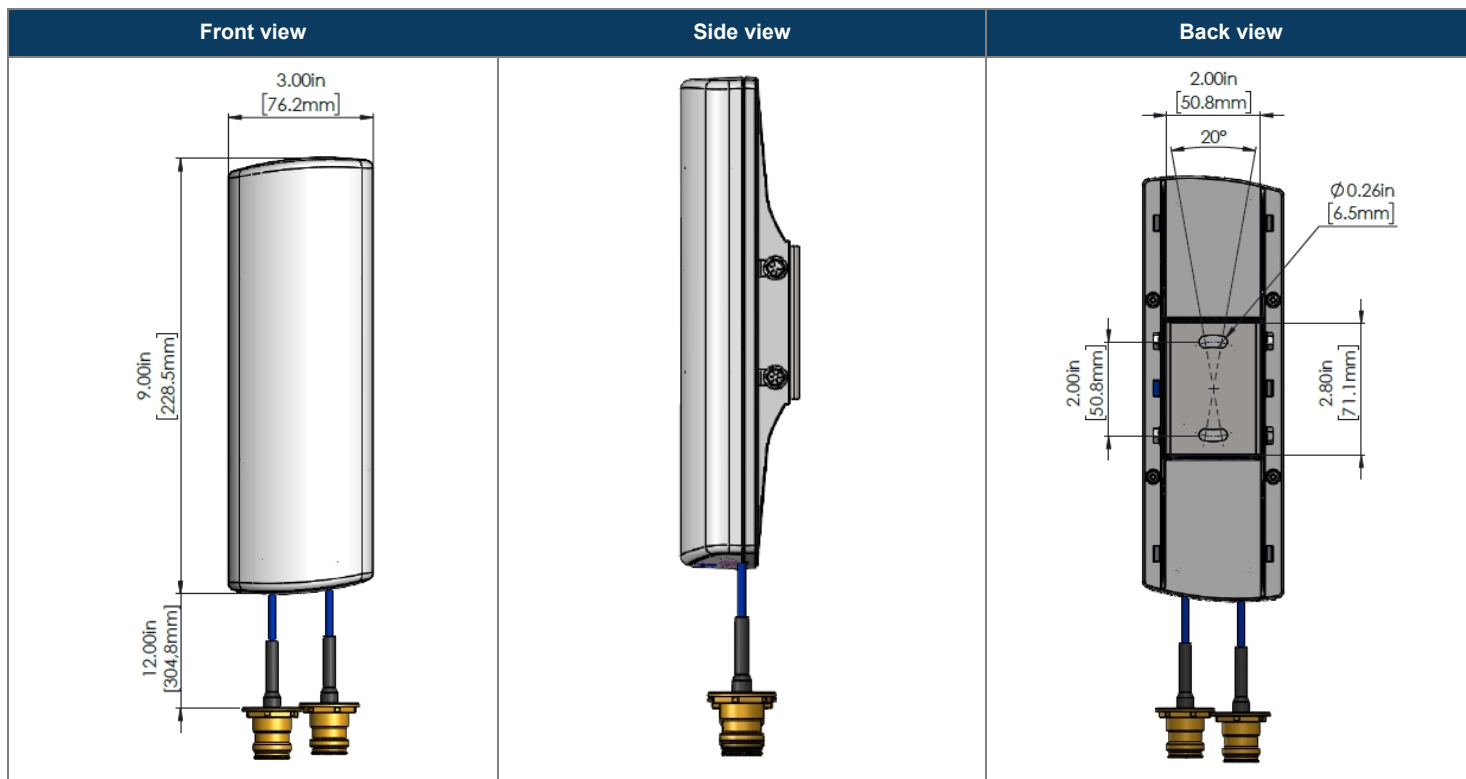


Electrical specification	Ports 1, 2
Frequency bands, MHz	3400-3980
Gain, dBi	13.3
Horizontal beamwidth (HBW), degrees <sup>1</sup>	70
Vertical beamwidth (VBW), degrees <sup>1</sup>	21.2
Fixed electrical tilt (FET), degrees	0 or 7 <sup>2</sup>
First Upper Side lobe, dB	19
Front-to-Back Ratio at 180° ±30°, dB	24
Cross-polar isolation, port-to-port, dB <sup>1</sup>	22
VSWR / return loss, dB	1.5:1 / -14.0
Maximum input power per port at 50 °C, watts	75

<sup>1</sup> Typical value over frequency.

<sup>2</sup> Seven degrees down-tilt applied when antenna is installed with connectors facing upward

Mechanical specifications	
Dimensions height/width/depth, inches (mm)	9/ 3/ 2.17 (228.5/ 76.2/ 55.1)
No. of RF input ports, connector type, and location	2 x 4.3-10 female with 12 in. plenum-rated pigtailed (300 mm)
RF connector torque	44.25 lbf·in (5 N·m or 3.7 lbf·ft)
Net antenna weight, lb (kg)	0.75 (0.36)
Weight with supplied bracket, lb (kg)	0.903 (0.409)
Shipping weight, lb (kg)	TBD
Application	Indoors



Ordering information	
Antenna model (x = 0 or 7)	Description
SX02FIT165-40	9 inch, 65 deg, 2 port, panel antenna incl mount bracket, 0 deg FET
SX02FIT165-47 <sup>2</sup>	9 inch, 65 deg, 2 port, panel antenna incl mount bracket, 7 deg FET

<sup>2</sup> Seven degrees down-tilt applied when antenna is installed with connectors facing upward